

Dual-spectrum PTZ Network Camera

PT464



Product Feature

- Clearer imaging with the latest generation 12micron uncooled infrared detector and leading infrared image algorithm.
- Visual and thermal dual-spectrum imaging, meet the needs of 24/7 safety surveillance.
- Support electric-focus infrared lens of 50mm , 75mm , 100mm to satisfy longdistance detection
- Support intelligent behavior analysis, such as tripwire detection and region intrusion detection.
- Support intelligent smoke and fire detection and infrared video analysis to meet the requirement of forest fire prevention and intelligent firefighting.
- Integrated with high-speed and high-accuracy PT, encapsulation raging IP66
- Support single-IP, double-channel network video transmission, transmit visible video and infrared video simultaneously.
- Support ONVIF and GB28281 standard protocols, provide SDK, matched NVR and Software

Technical Index		PT464	
Thermal	Sensor Type	VOx uncooled FPA detector	
	Spectral Range	8 ~ 14μm	
	NETD	≤40mK(@25°C,F#1.0,25Hz)	
	Max. Resolution	640×512	
	Pixel Pitch	12μm	
	Focal Length	75mm	100mm
	Focus Mode	Auto/Manual/One-shot Auto	
	FOV	5.9°×4.7°	4.4°×3.5°
	F number	F1.0	F1.2
	Spatial Resolution	0.160mrad	0.120mrad
	Color Palettes	20 modes selectable such as Blackhot/Whitehot/Rainbow,etc.	
Visible	Image sensor	1/1.8inch 4MP CMOS	
	Max. Resolution	2688×1520	
	Focal Length	6.5~240mm	
	Focus Mode	Auto / Manual / One-shot auto	
	FOV	61.8°×37.2°~ 1.86°×1.05°	
	WDR	Support	
	Day /Night	Manual/Auto	
	Fog Penetration	Support	
PTZ	Pan Range	360° Continuous Rotate	
	Pan Speed	0.1° ~ 100°/s	
	Tilt Range	-90° ~ +40°	
	Tilt Speed	0.1° ~ 60°/s	
	Scan Mode	Preset/Pattern Scan/Patrol Scan/Linear Scan/Panorama Scan	
Network	Protocols	TCP/IP,UDP,ICMP,HTTP,HTTPS,FTP,DHCP,DNS,RTP ,RTSP,RTCP,IGMP,SMTP, NTP, QoS	
	Interoperability	ONVIF/GB28181/SDK	
	Simultaneous live view	Up to 20 channels	

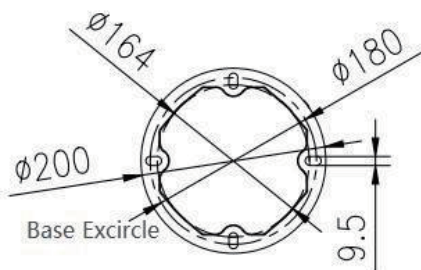
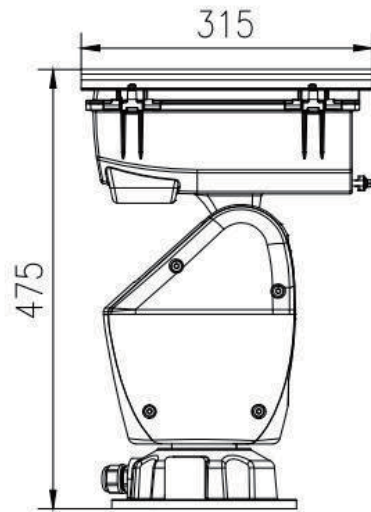
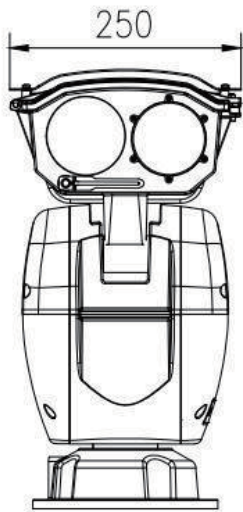
	User Management	Up to 20users, 2 levels: Administrator and User
	Browser	IE8+, multiple languages
Video	Max. Resolution	2688×1520(Visible), 1280×1024 (Thermal)
	Image Encoding Format	JPEG
	Audio Compression	G.711A/G.711Mu/PCM/AAC/MPEG2-Layer2
Technical Index		PT464
	Video Compression	H.264/H.265/MJPEG
	Main Stream	Visible: 50Hz:25fps(2688×1520,1920×1080,1280×720) 60Hz:30fps(2688×1520,1920×1080,1280×720) Thermal: 50Hz:25fps(1280×1024,1280×720,1024×768)
	Sub Stream	Visible: 50Hz:25fps(1920×1080,1280×720,704×576,352×288) 60Hz:30fps(1920×1080,1280×720,704×480,352×240) Thermal: 50Hz:25fps(640×512,384×288)
Smart Function	Fire Detection	yes
	Zoom Linkage	yes
	Smart Record	Alarm trigger recording, disconnection trigger recording (continue transmission after connection)
	Smart Alarm	Support alarm trigger of network disconnection, IP address conflict, full memory, memory error, illegal access and abnormal detection
	Smart Detecting	Support smart video analysis such as line intrusion, cross-border, and region intrusion
	Alarm Linkage	Recording/Capture/Sendingmail/PTZ linkage/Alarm output
System Interface	Power Supply	DC 24V±15%
	Communication Interface	RJ45 self-adaptive 10M/100M Ethernet port
	Audio Interface	1channel input, 1 channel output
	Alarm Interface	7-channel input, 2-channel output

	Storage Interface	Support Micro SD card (Max.256G)
	Communication Interface	1-channel RS485
General	Operating Conditions	-40°C ~ +70°C; <90%RH
	Protection Grade	IP66 , TVS 6000V Lightning Protection, Surge Protection and Voltage Transient Protection Conform to GB/T17626.5 Grade-4 Standard
	Power Consumption	Max.75W
	Dimensions(m m)	250mm×472mm×360mm(W×H×L)
	Weight	14KG

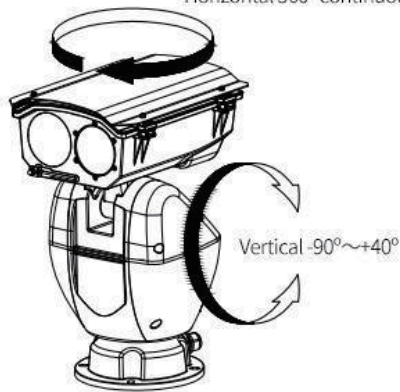
Operating Distance

The recommended distance of detecting, recognizing and identifying for man (1.8×0.5m) and vehicle (1.4×4.0m) are as follows:

Lens	DD (Vehicle)	DD (Man)	RD (Vehicle)	RD (Man)	ID (Vehicle)	ID (Man)
100mm	12.8km	4.2km	3.2km	1.0km	1.6km	0.5km
75mm	9.6km	3.1km	2.4km	0.8km	1.2km	0.4km



Horizontal 360° continuous rotation



The rotation radius is about 300mm

This datasheet is subject to change without prior notice. Please contact us to get the latest datasheet.