

Dual-spectrum PTZ Network Camera PT4S4



Product Feature

- Clearer imaging with the latest generation 12micron uncooled infrared detector and leading infrared image algorithm.
- Visual and 1.3MP thermal dual-spectrum imaging, meet the needs of 24/7 security monitoring.
- Support 75mm electric-focus, 25~75mm continuous zoom infrared lens, 100mm to satisfy long-distance detection.
- Support intelligent behavior analysis, such as tripwire detection and region intrusion detection.
- Support intelligent smoke and fire detection and infrared video analysis to meet the requirement of forest fire prevention and intelligent firefighting.
- Integrated with high-speed and high-accuracy PT, encapsulation rating IP66
- Support single-IP, double-channel network video transmission, transmit visible video and infrared video simultaneously.
- Support ONVIF and GB28281 standard protocols, provide SDK, matched NVR and Software

Product Specifications

| Technical Index | | PT464 | | |
|-----------------|------------------------|---|------------------------|-----------------------------------|
| Thermal | Sensor Type | VOx uncooled FPA detector | | |
| | Spectral Range | 8 ~ 14μm | | |
| | NETD | ≤40mK(@25°C,F#1.0,25Hz) | | |
| | Max. Resolution | 1280×1024 | | |
| | Pixel Pitch | 12μm | | |
| | Focal Length | 75mm | 25 ~ 75mm | |
| | Focus Mode | Auto/Manual/One-shot Auto | | |
| | FOV | 11.7°×9.4° | 11.5°×9.3°~35.9°×28.5° | |
| | F number | F1.0 | F0.95~F1.2 | |
| | Spatial Resolution | 0.160mrad | 0.160~0.480mrad | |
| | Color Palettes | 20 modes selectable such as Blackhot/Whitehot/Rainbow,etc. | | |
| | Visible | Image sensor | 1/1.8inch 4MP CMOS | |
| Max. Resolution | | 2688×1520 | | |
| Focal Length | | 6~300mm | | |
| Focus Mode | | Auto / Manual / One-shot auto | | |
| FOV | | 66.0°×40.3°~ 1.4°×0.8° | | |
| WDR | | Support | | |
| Day /Night | | Manual/Auto | | |
| Fog Penetration | | Support optical fog penetration | | |
| PTZ | Pan Range | 360° Continuous Rotate | | |
| | Pan Speed | 0.1° ~ 100°/s | | |
| | Tilt Range | -90° ~ +40° | | |
| | Tilt Speed | 0.1° ~ 60°/s | | |
| | Scan Mode | Preset/Pattern | Scan/Patrol | Scan/Linear Scan/Panorama Scan |
| Network | Protocols | TCP/IP,UDP,ICMP,HTTP,HTTPS,FTP,DHCP,DNS,RTP,RTSP,RTCP,IGMP,SMTP, NTP, QoS | | |
| | Interoperability | ONVIF/GB28181/SDK | | |
| | Simultaneous live view | Up to 20 channels | | |
| | User Management | Up to 20 users, 2 levels: Administrator and User | | |
| | Browser | IE8+, multiple languages | | |
| Video | Max. Resolution | 2688×1520(Visible), 1280×1024 (Thermal) | | |
| | Image Encoding Format | JPEG | | |
| | Audio Compression | G.711A/G.711Mu/PCM/AAC/MPEG2-Layer2 | | |

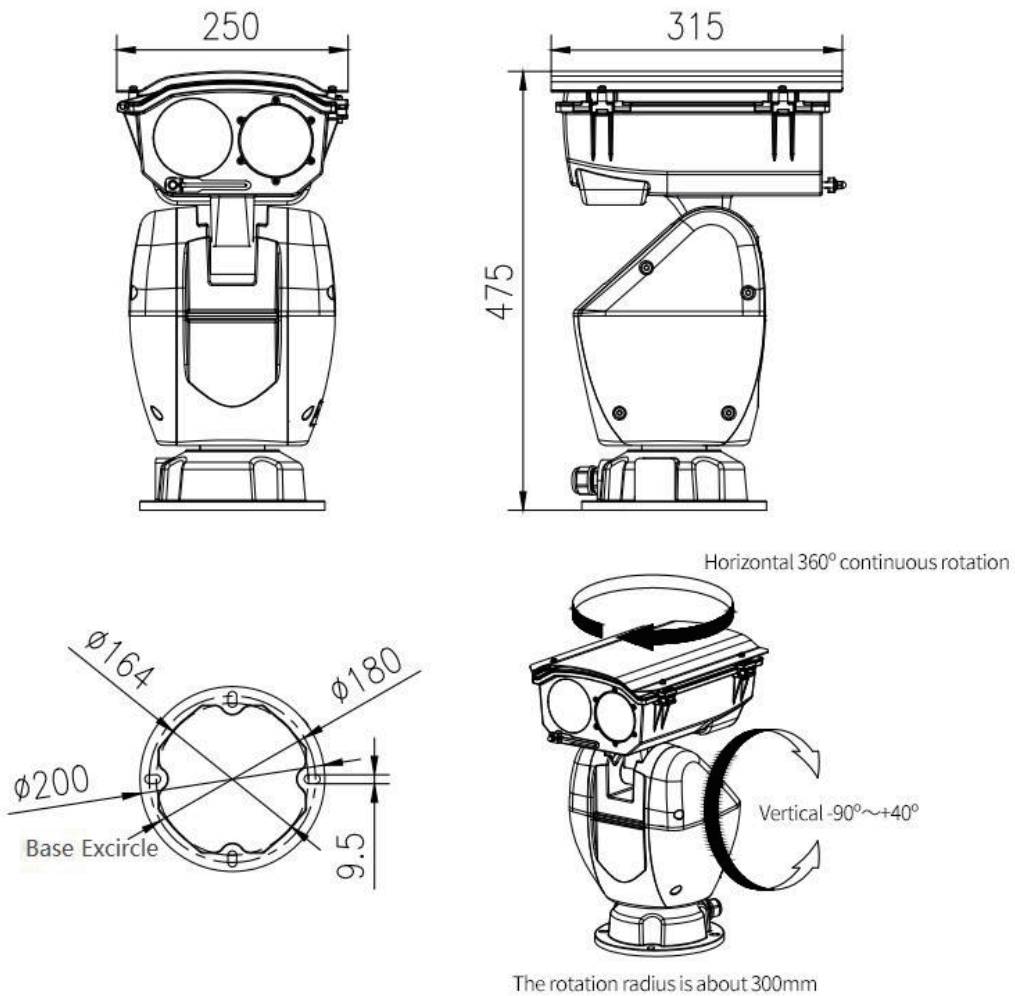
| Technical Index | | PT464 |
|-------------------------|-------------------------|---|
| | Video Compression | H.264/H.265/MJPEG |
| | Main Stream | Visible: 50Hz:25fps(2688×1520,1920×1080,1280×720) 60Hz:30fps(2688×1520,1920×1080,1280×720) Thermal: 50Hz:25fps(1280×1024,1280×720,1024×768) |
| | Sub Stream | Visible: 50Hz:25fps(1920×1080,1280×720,704×576,352×288) 60Hz:30fps(1920×1080,1280×720,704×480,352×240) Thermal: 50Hz:25fps(640×512,384×288) |
| Smart Function | Fire Detection | yes |
| | Zoom Linkage | yes |
| | Smart Record | Alarm trigger recording, disconnection trigger recording (continue transmission after connection) |
| | Smart Alarm | Support alarm trigger of network disconnection, IP address conflict, full memory, memory error, illegal access and abnormal detection |
| | Smart Detecting | Support smart video analysis such as line intrusion, cross-border, and region intrusion |
| | Alarm Linkage | Recording/Capture/Sending mail/PTZ linkage/Alarm output |
| System Interface | Power Supply | DC 24V±15% |
| | Communication Interface | RJ45 self-adaptive 10M/100M Ethernet port |
| | Audio Interface | 1channel input, 1 channel output |
| | Alarm Interface | 7-channel input, 2-channel output |
| | Storage Interface | Support Micro SD card (Max.256G) |
| | Communication Interface | 1-channel RS485 |
| General | Operating Conditions | -40℃ ~ +70℃ ; <90%RH |
| | Protection Grade | IP66 , TVS 6000V Lightning Protection, Surge Protection and Voltage Transient Protection Conform to GB/T17626.5 Grade-4 Standard |
| | Power Consumption | Max.75W |
| | Dimensions(mm) | 250mm×472mm×360mm(W×H×L) |
| | Weight | 14KG |

Operating Distance

The recommended distance of detecting, recognizing and identifying for man (1.8×0.5m) and vehicle (1.4×4.0m) are as follows:

| Lens | DD (Vehicle) | DD (Man) | RD (Vehicle) | RD (Man) | ID (Vehicle) | ID (Man) |
|-------|--------------|----------|--------------|----------|--------------|----------|
| 100mm | 12.8km | 4.2km | 3.2km | 1.0km | 1.6km | 0.5km |
| 75mm | 9.6km | 3.1km | 2.4km | 0.8km | 1.2km | 0.4km |
| 25mm | 3.2km | 1.0km | 0.8km | 0.3km | 0.4km | 0.1km |

Structural Drawings



This datasheet is subject to change without prior notice. Please contact us to get the latest datasheet.